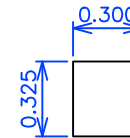
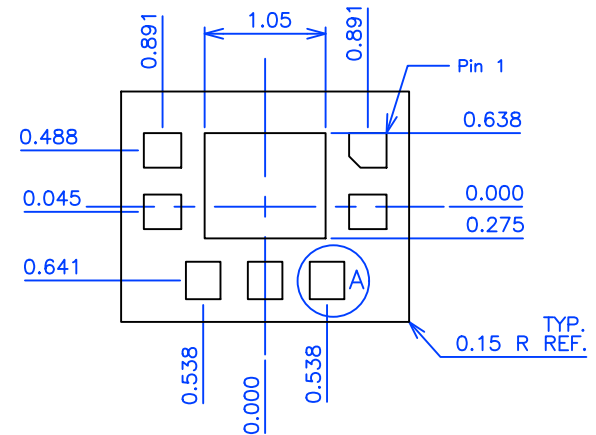
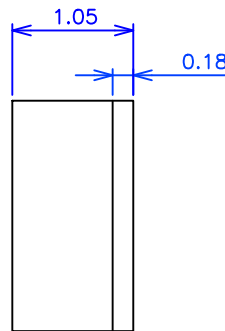
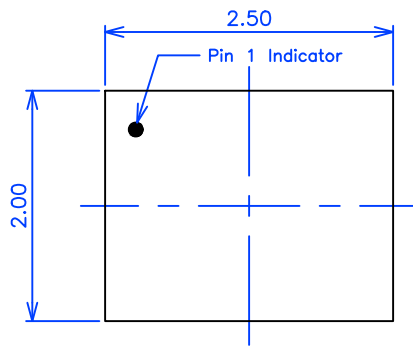


Notes:
 - All Units are in mm unless otherwise stated
 - General Tolerance:
 Linear X.XXX = ± 0.050 mm
 X.XX = ± 0.10 mm



DETAIL A
 PAD
 SCALE: 2x
 3X THIS ROTATION
 4X ROTATED 90°
 PIN 1 CHAMFER 0.100 X 45°

NOTES:
 1. Terminal Finish:
 Electroless Ni/Electroless Pd/Immersion Au

REV	DESCRIPTION	DATE:	NAME:	CHECKED:
C	Updated tolerance	5/15/2020	B. Hosse	

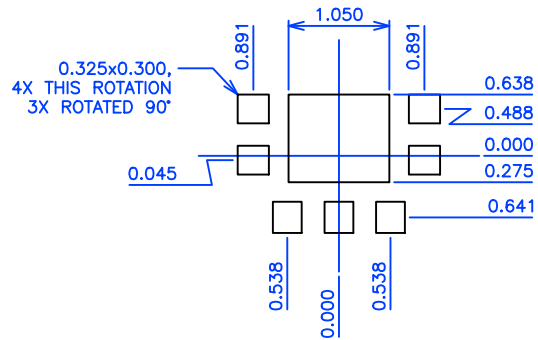
CONFIDENTIAL: This document contains information proprietary to Akoustis. Any disclosure or use is expressly prohibited and detrimental. Except upon written consent by Akoustis.

DRAWN BY: B. Hosse	APPROVED BY: N/A
TITLE: AKF-1252-POD	SCALE: N/A

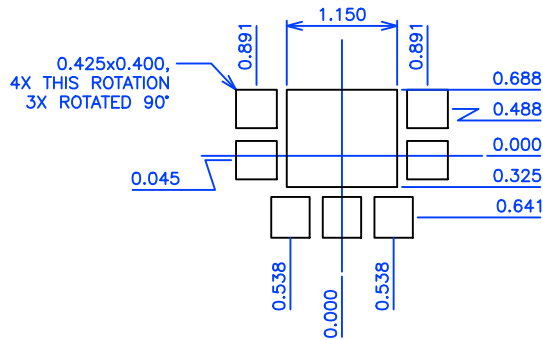
DWG NO: AKF-1252-230	PAGES: 1/2
-------------------------	---------------

AKOUSTIS	
www.akoustis.com	
9805-A Northcross Center Court Huntersville, NC 28078	
PHONE: (704) 997-5735	FAX: (704) 997-5734

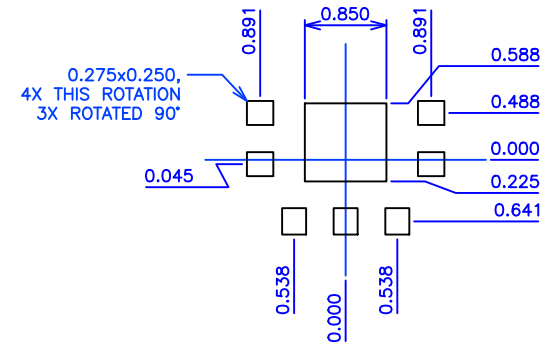
- Notes:
- All Units are in mm unless otherwise stated
 - General Tolerance:
 Linear X.XXX = $\pm 0.050\text{mm}$
 X.XX = $\pm 0.10\text{mm}$



Recommended PCB
Metal Top View



Recommended
Solder Mask Opening
Top View



Recommended Stencil
Pattern Top View