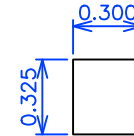
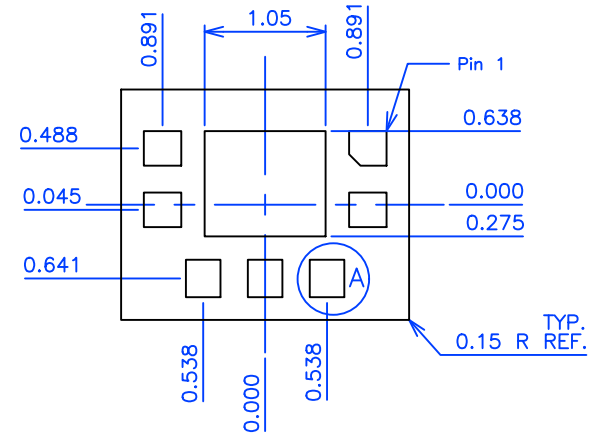
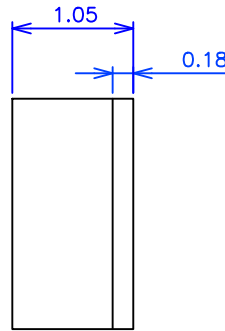
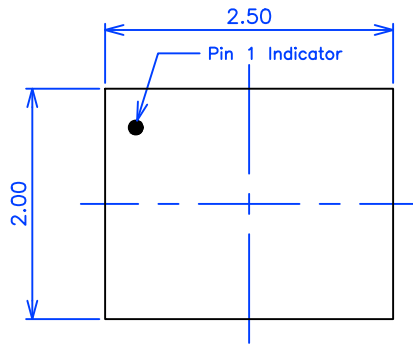


Notes:  
 - All Units are in mm unless otherwise stated  
 - General Tolerance:  
 Linear X.XXX =  $\pm 0.050\text{mm}$   
 X.XX =  $\pm 0.10\text{mm}$



DETAIL A  
 PAD  
 SCALE: 2x  
 3X THIS ROTATION  
 4X ROTATED 90°  
 PIN 1 CHAMFER 0.100 X 45°

NOTES:  
 1. Terminal Finish:  
 Electroless Ni/Electroless Pd/Immersion Au

REV	DESCRIPTION	DATE:	NAME:	CHECKED:
B	Updated tolerance	5/12/2020	N. Dry	B. Hosse

CONFIDENTIAL: This document contains information proprietary to Akoustis. Any disclosure or use is expressly prohibited and detrimental. Except upon written consent by Akoustis.

DRAWN BY:  
 N. Dry, B. Hosse  
 APPROVED BY:  
 N/A  
 SCALE:  
 N/A

TITLE:  
 AKF-1256-POD

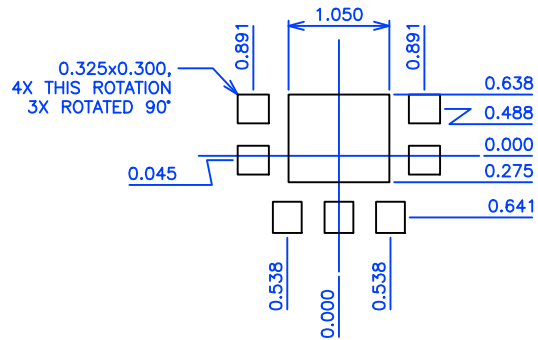
DWG NO:  
 AKF-1256-230

PAGES:  
 1/2

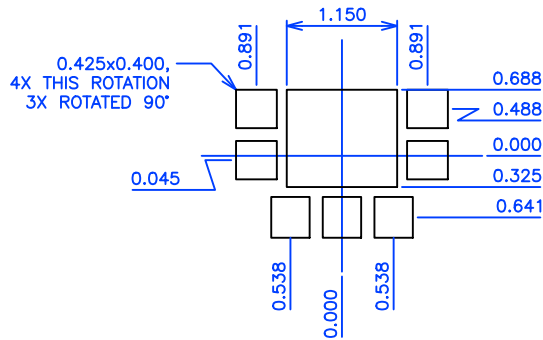


[www.akoustis.com](http://www.akoustis.com)  
 9805-A Northcross Center Court  
 Huntersville, NC 28078  
 PHONE: (704) 997-5735 FAX: (704) 997-5734

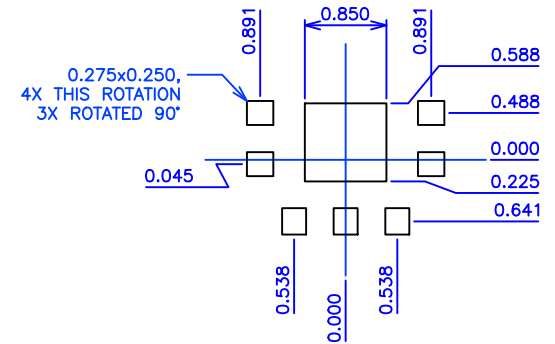
- Notes:
- All Units are in mm unless otherwise stated
  - General Tolerance:  
 Linear X.XXX =  $\pm 0.050\text{mm}$   
 X.XX =  $\pm 0.10\text{mm}$



Recommended PCB  
Metal Top View



Recommended  
Solder Mask Opening  
Top View



Recommended Stencil  
Pattern Top View