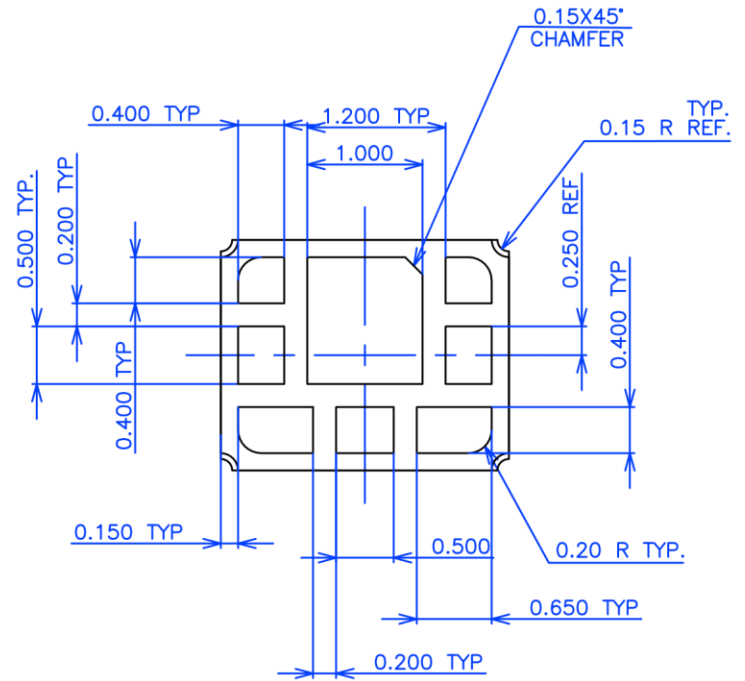
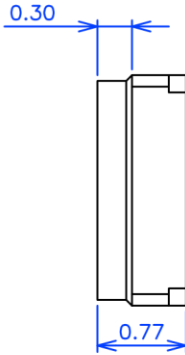
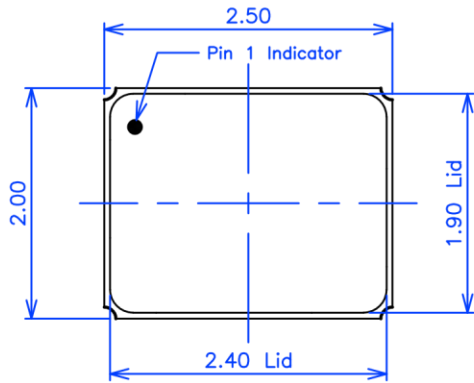


Notes:  
 - All Units are in mm unless otherwise stated  
 - General Tolerance:  
 Linear X.XXX =  $\pm 0.050$ mm  
 X.XX =  $\pm 0.10$ mm



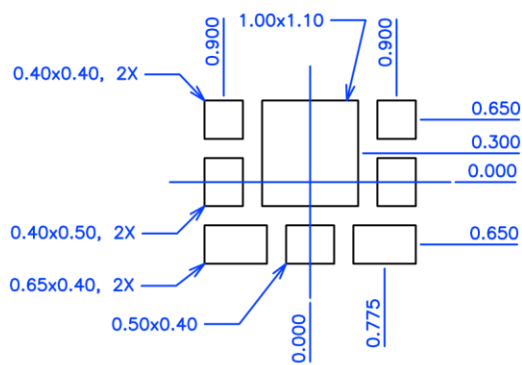
NOTES:  
 1. PLATING THICKNESS  
 ELECTRO Ni : 1.27~8.89 $\mu$ m(S/P)  
 ELECTRO Au : 0.30~1.00 $\mu$ m(S/P)

|                       |  |   |  |                         |  |               |  |
|-----------------------|--|---|--|-------------------------|--|---------------|--|
| DRAWN BY:<br>B. Hosse |  | TITLE:<br>AKF-1938-POD  |  | DWG NO:<br>AKF-1938-230 |  | PAGES:<br>1/2 |  |
| APPROVED BY:<br>N/A   |  | <br><b>www.akoustis.com</b><br>9805-A Northcross Center Court<br>Huntersville, NC 28078<br>PHONE: (704) 997-5735 FAX: (704) 997-5734 |  |                         |  |               |  |
| SCALE:<br>N/A         |  |   |  |                         |  |               |  |

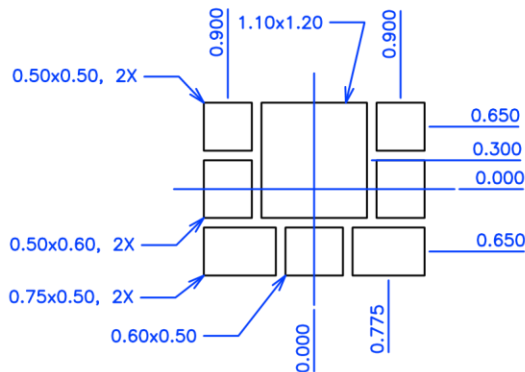
| REV | DESCRIPTION     | DATE:     | NAME:    | CHECKED: |
|-----|-----------------|-----------|----------|----------|
| 1   | Initial Release | 1/13/2020 | B. Hosse |          |

CONFIDENTIAL: This document contains information proprietary to Akoustis. Any disclosure or use is expressly prohibited and detrimental. Except upon written consent by Akoustis.

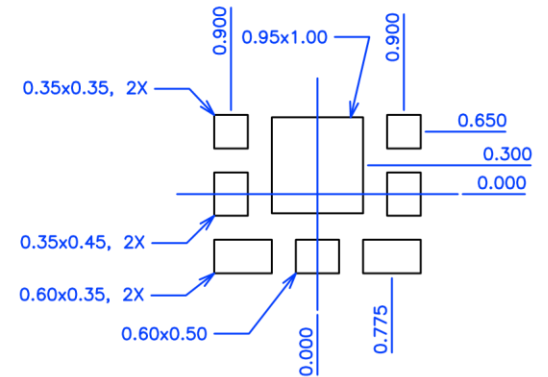
- Notes:
- All Units are in mm unless otherwise stated
  - General Tolerance:  
 Linear X.XXX =  $\pm 0.050\text{mm}$   
 X.XX =  $\pm 0.10\text{mm}$



PCB Metal Top View



Solder Mask Opening Top View



Stencil Pattern Top View